



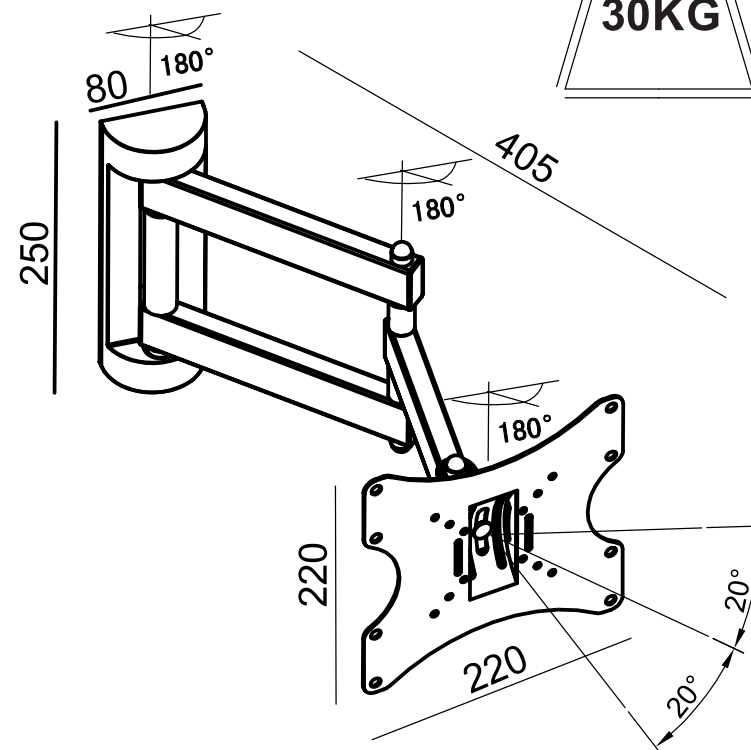
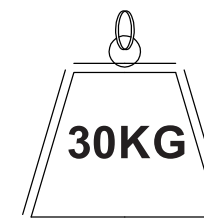
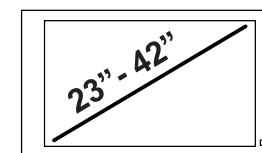
WARNING:

1. Please ask qualified applicators to install the equipment on the wall. The inadequate application may cause the fall of a LCD color TV, resulting in injury.
2. The wall for installing the PLASMA/LCD wall mount bracket must be installed on concrete wall, solid brick wall or equivalent which can afford the weight of the PLASMA/LCD wall mount bracket and the TV itself.
3. Do not mount any equipment other than the specified product. This wall mount bracket is designed for PLASMA/LCD ranging from 23" to 42" with max loading weight of 25kgs (55 lbs). Dangers may occur if the wall mount bracket is overweight, like toppling of the PLASMA/LCD .
4. Use a track level bar to balance the PLASMA/LCD wall mount bracket during installation for stability. Be sure to install the TV Bracket on a wall that is both perpendicular and flat.
5. Check the space and distances for installation, avoid covering the view of important information (ie. traffic information) behind the panel.
6. Make sure enough space is available for the mounting, swiveling and tilting of the PLASMA/LCD wall mount bracket.
7. Do not remove screws, after mounting the TV. Do not disassemble or make alterations to the parts of the wall mount bracket.
8. Be sure to tighten the screws securely in the designated position.
9. After proper installation of the TV bracket, secure the cables properly. Do not allow the AC power cord or the connecting cable to be pinched.
10. Do not install at places near the vent of air conditioner or frequently vibrate, or places directly blown by moisture, dust, smoke or steam (stove, electric cooker, humidifier etc.). Otherwise may cause fire or electric shock.
11. Specialist is required for the maintenance of the PLASMA/LCD wall mount bracket. Lubricating oil in hinges is needed for maintenance and the proper functioning of the product. Do not handle the product with excessive force during cleaning or maintenance.

USERMAUAL

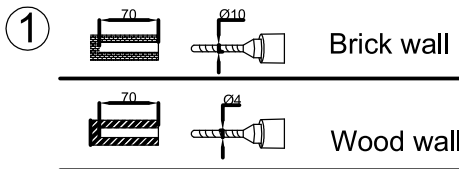
Omega

TVMOUNT

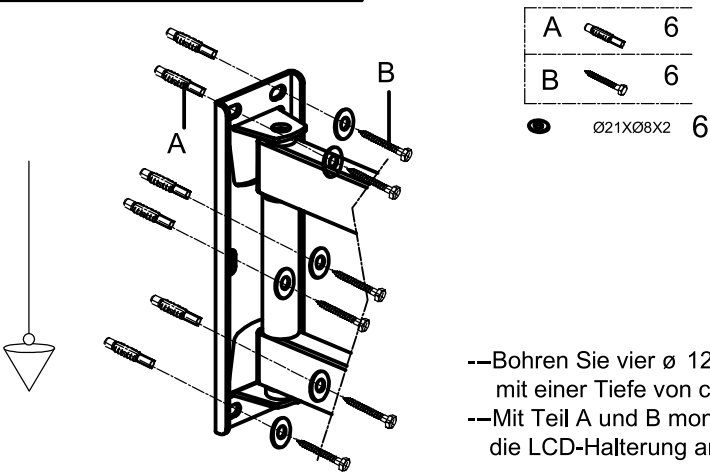


OUTV200FM

----- INSTALLATION SPECIFICATION:

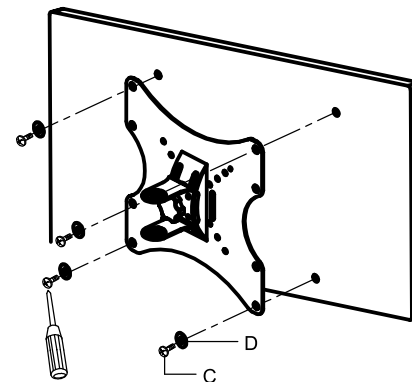


---Benutzen Sie die Halterung als Schablone zum Markieren der vier Bohrlöcher an der Wand, siehe Abbildung.

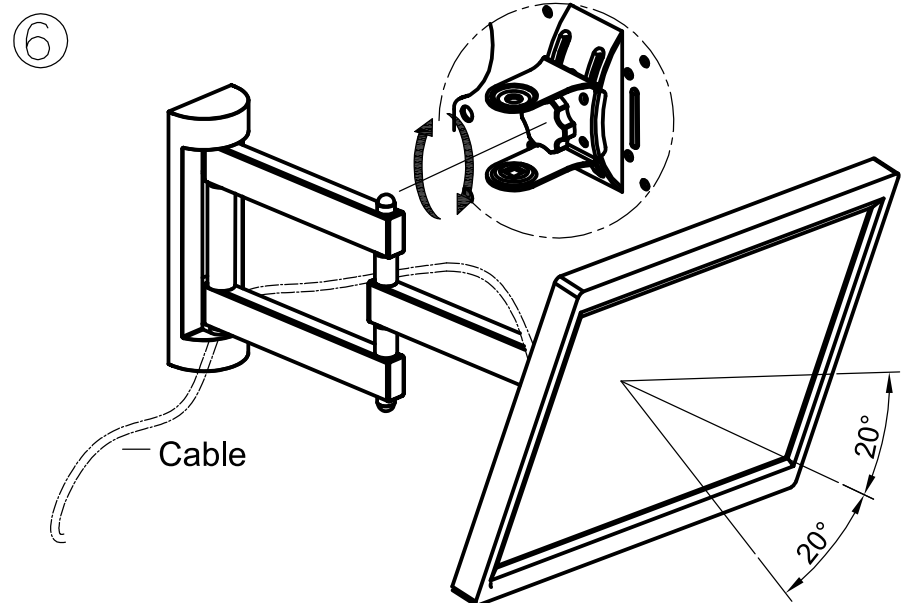
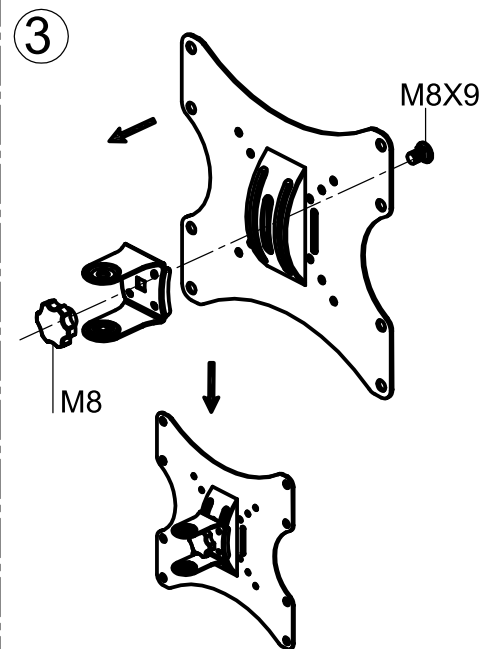
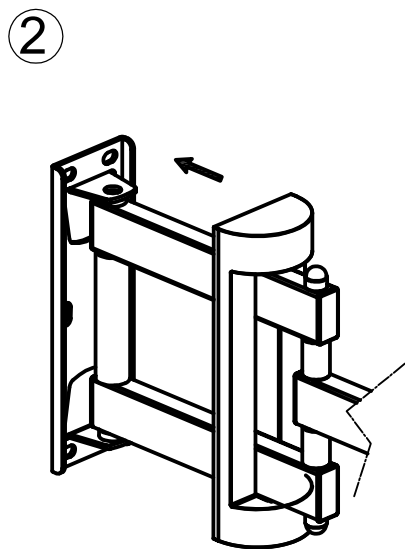
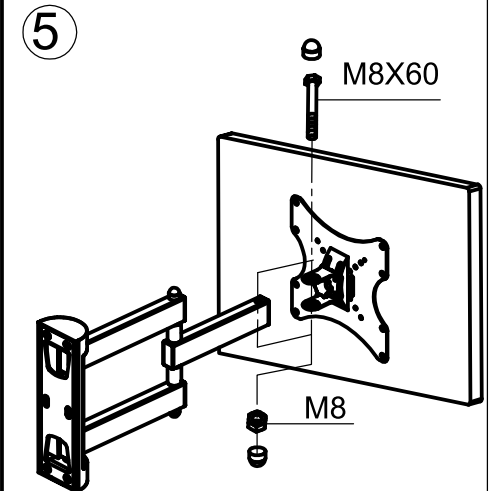


---Bohren Sie vier \varnothing 12 mm Löcher mit einer Tiefe von ca. 70 mm.
 ---Mit Teil A und B montieren Sie die LCD-Halterung an der Wand.

----- INSTALLATION SPECIFICATION:



----- Choosing suitable screws from the part C to assembly LCD hanging bracket on the assembling board as picture.



-----Hanging the LCD cables onto the wire holder as picture .