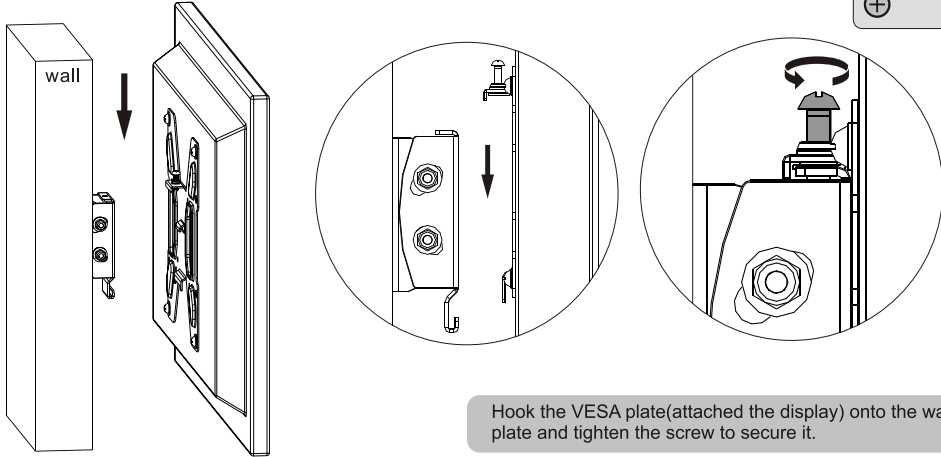
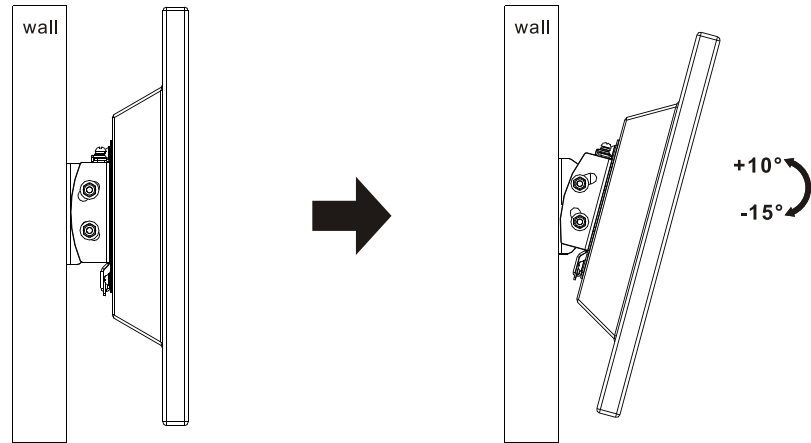


5. Installing the Display



Hook the VESA plate(attached the display) onto the wall plate and tighten the screw to secure it.

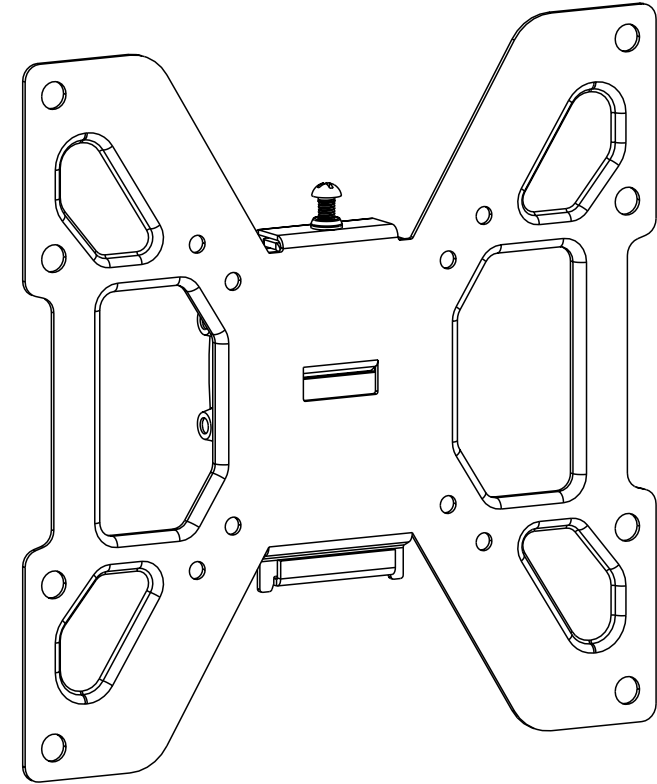
6. Adjustment



Push or pull from the top or bottom of the display to obtain a desired angle.

Maintenance
• Check that the bracket is secure and safe to use at regular intervals(at least every three months).
• Please contact your distributor if you have any questions.

LCD Wall Mount



CAUTION: DO NOT EXCEED RATED LISTED WEIGHT. SERIOUS INJURY OR PROPERTY DAMAGE MAY OCCUR!

OUTVLCD203



75x75/100x100
200x100/200x200



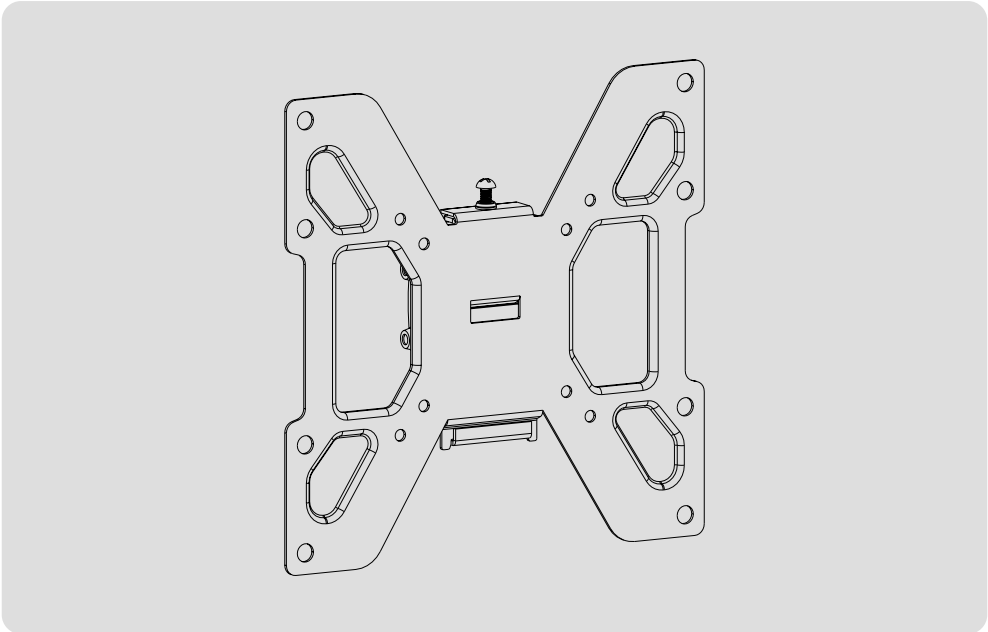
NOTE: Read the entire instruction manual before you start installation and assembly.

WARNING

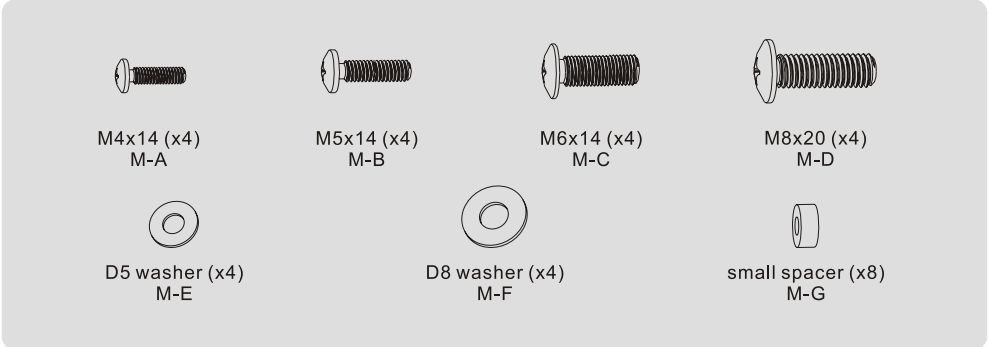
- Do not begin the installation until you have read and understood all the instructions and warnings contained in this installation sheet. If you have any questions regarding any of the instructions or warnings, please contact your local distributor.
- This mounting bracket was designed to be installed and utilised **ONLY** as specified in this manual. Improper installation of this product may cause damage or serious injury.
- This product should only be installed by someone with good mechanical ability who has basic building experience and fully understands this manual.
- Make sure that the supporting surface will safely support the combined weight of the equipment and all attached hardware and components.
- If mounting to wood wall studs, make sure that mounting screws are anchored into the center of the studs. The use of a stud finder is highly recommended.
- Always use an assistant or mechanical lifting equipment to safely lift and position the equipment.
- Tighten screws firmly, but do not over tighten. Over tightening can cause damage to the items, This greatly reduces their holding power.
- This product is intended for indoor use only. Using this product outdoors could lead to product failure and personal injury.

Component Checklist

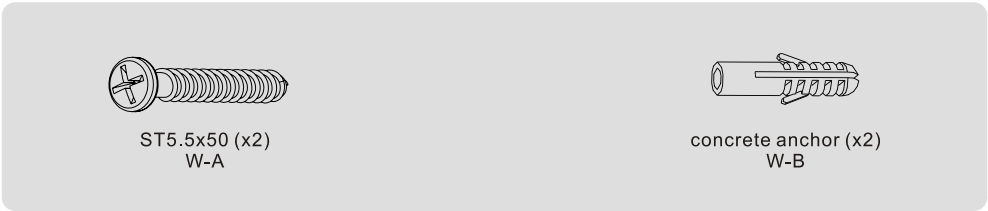
IMPORTANT: Ensure that you have received all parts according to the component checklist prior to installation. If any parts are missing or faulty, telephone your local distributor for a replacement.



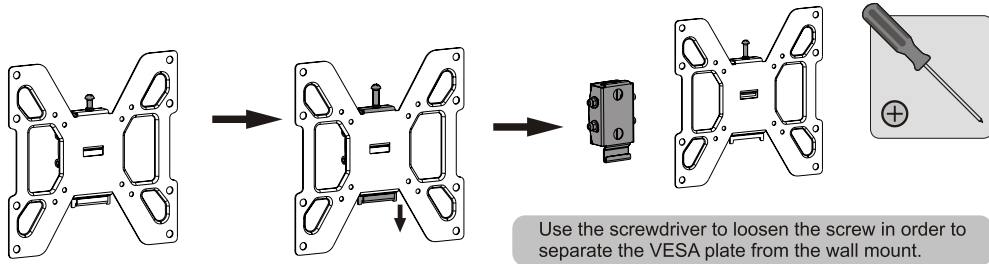
Package M



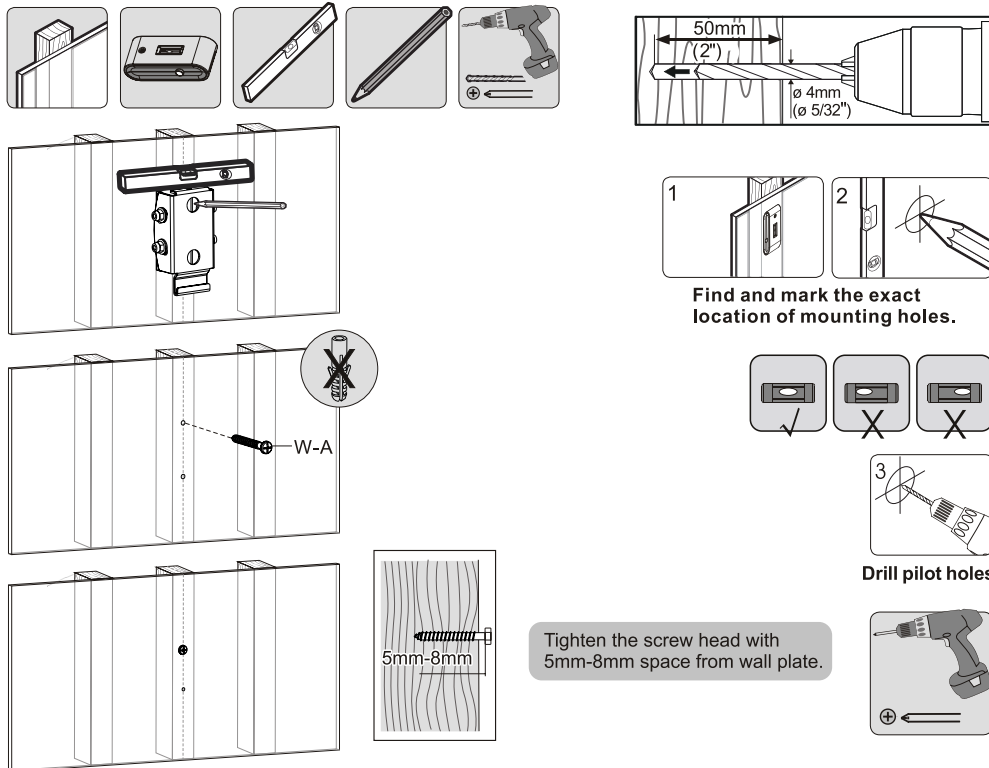
Package W



1. Separating the VESA Plate



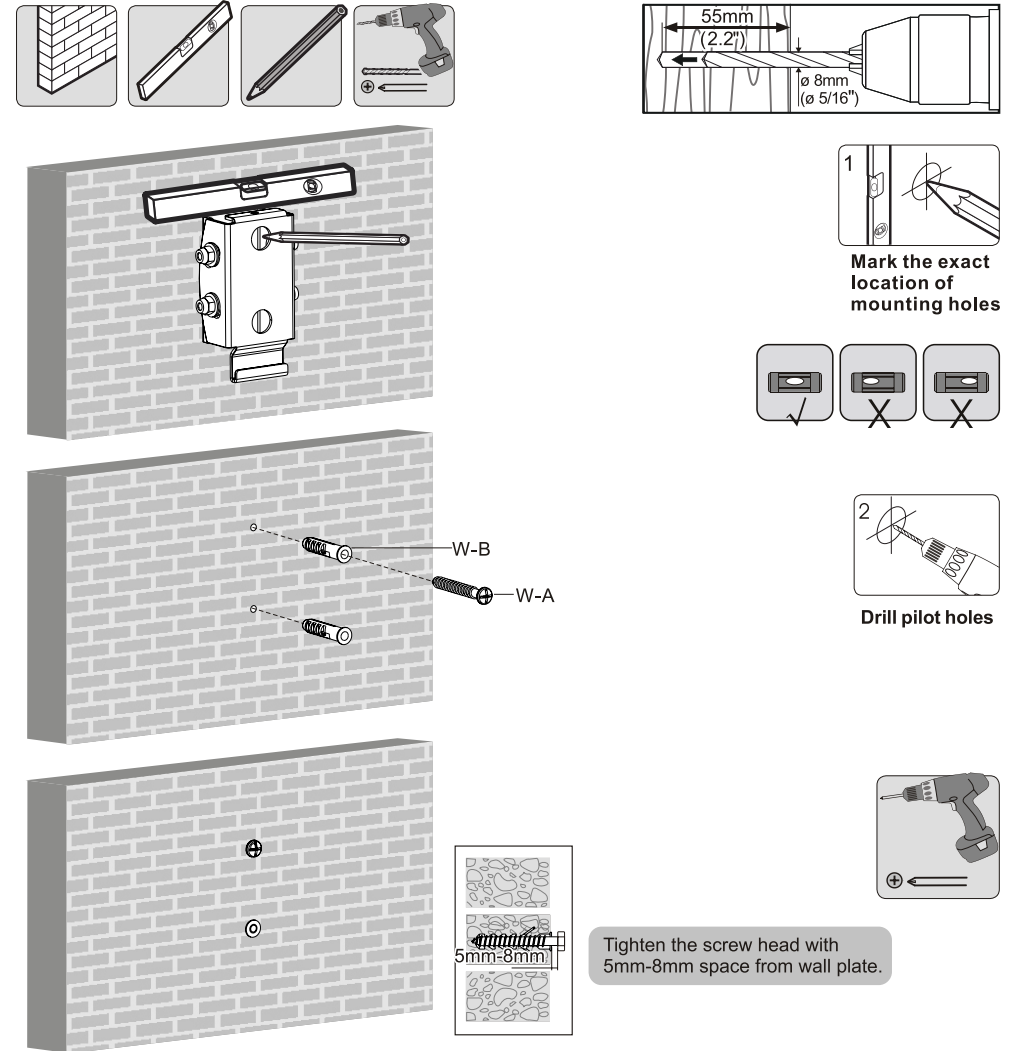
2a. For Wood Stud Wall Mounting



⚠ WARNING

- Make sure that mounting screws are anchored into the center of the studs. The use of a stud finder is highly recommended.
- Installers are responsible to provide hardware for other types of mounting situations.
- Installers must verify that the supporting surface will safely support the combined weight of the equipment and all attached hardware and components.

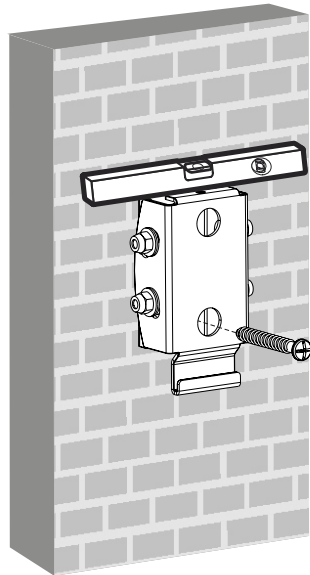
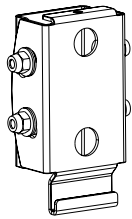
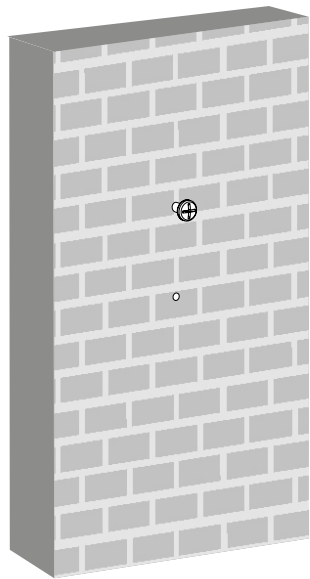
2b. For Solid Brick and Concrete Mounting



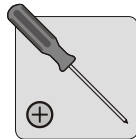
⚠ WARNING

Installers must verify that the supporting surface will safely support the combined weight of the equipment and all attached hardware and components.

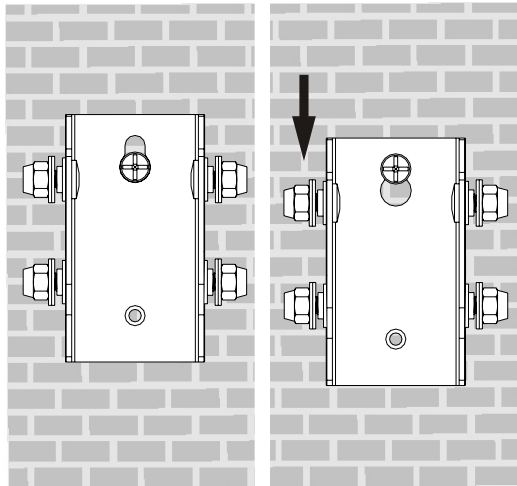
3. Installing the Wall Plate



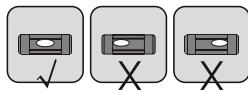
W-A



(For clarity, the outer cover is not shown.)

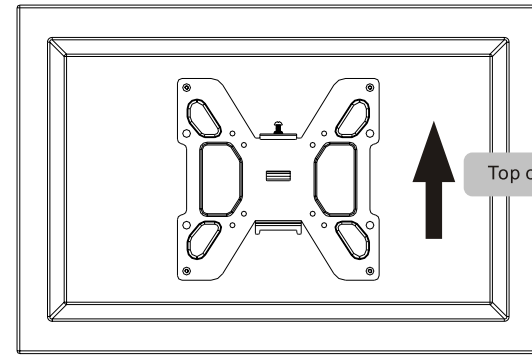


Align wall plate top hole to the screw and lower the wall plate until the screw is seated in upper area of tear-drop mounting hole.

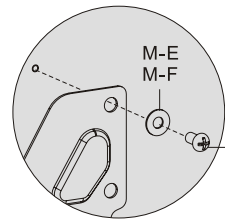
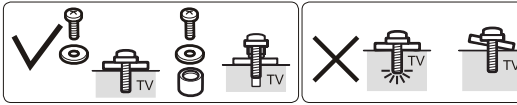


Install the other screw and level the wall plate, then tighten all screws for security.

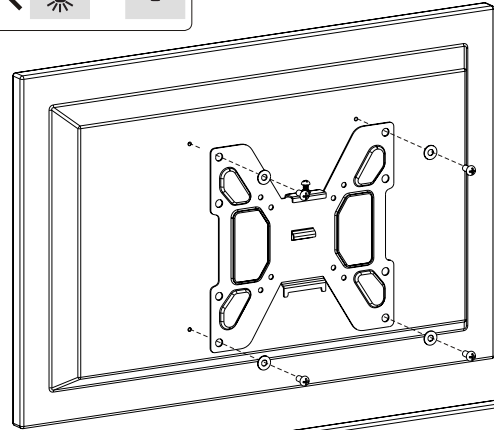
4. Installing the VESA Plate



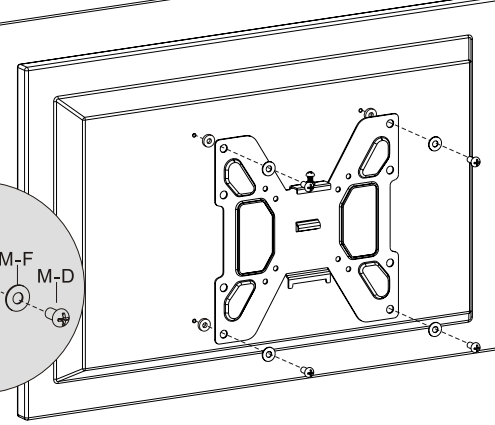
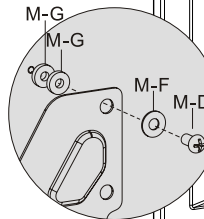
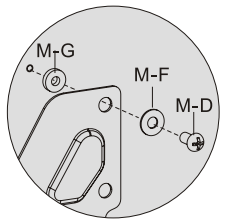
Top of the display



M-A
M-B
M-C
M-D



or



Note: Choose the appropriate screws, washers and spacers (if necessary) according to the type of screen. Screw the VESA plate onto the display.

Tighten all screws but do not over tighten.

