

THE OUTDOOR LASER

USER'S GUIDE (READ ME FIRST)



LASER RADIATION
DO NOT STARE INTO BEAM
CLASS 2 LASER PRODUCT
EN60825-1:2014

Wavelength: 650nm, 532nm
Average laser power: <1mW

POL01

WARNING:
Use provided
transformer only.

Safety First!

CAUTION! - Use of controls or adjustments or performance of procedures other than those specified herein may result in hazardous radiation exposure.

This laser product is certified as a Class IIIa laser product to the requirements of the US Federal Laser Product Performance Standard (FLPPS) contained in the regulations in 21 CFR Subchapter J. Class IIIa laser products can be hazardous when directly viewed.

Avoid direct viewing of Class 2 laser energy. For reference the FLPPS requirements for demonstration laser products like laser pointers are limited to Class 2 levels of laser energy. This product uses diffractive optics to scatter the beam energy. This scattering effect causes the energy concentration to drop below the exposure limits for momentary or accidental viewing at a relatively short distance from the laser aperture. As similar with all bright light sources, when you operate this device in unsupervised general public areas, it is recommended that up-close access to The Outdoor Laser be restricted or prevented.

This laser display device incorporates a Class 2 laser system which, by itself, may be hazardous. However, this laser display device incorporates a protective housing and diffractive holographic optics in the machine's design such that there is no exposure or human access to the laser radiation during operation or maintenance above the Class 2 limits. Each individual laser beams's power is less than 1mW, which is about an average laser pointer.

UNDER NO CIRCUMSTANCE shall attempts be made to open the protective housing or operate the device if the aperture windows are damaged. All service to this laser display device requiring the protective housing to be opened and/or removed shall be performed by a Outdoor Laser service personnel or their authorized agents. No user-serviceable parts - opening The Outdoor Laser protective housing voids the warranty.

WARNING: Changes or modifications to this equipment not expressly approved by the party responsible for compliance could void the user's authority to operate the equipment.

This device complies with Part 15 of the FCC Rules. Operation is subject to the following two conditions: (1) this device may not cause harmful interference, and (2) this device must accept any interference received, including interference that may cause undesired operation.

This device complies with Industry Canada Licence-exempt RSS-210. Operation is subject to the following two conditions: (1) this device may not cause interference, and (2) this device must accept any interference, including interference that may cause undesired operation of the device.

NOTE: This equipment has been tested and found to comply with the limits for a Class B digital device, pursuant to Part 15 of the FCC Rules. These limits are designed to provide reasonable protection against harmful interference in a residential installation. This equipment generates, uses and can radiate radio frequency energy and, if not installed and used in accordance with the instructions, may cause harmful interference to radio communications.

However, there is no guarantee that interference will not occur in a particular installation. If this equipment does cause harmful interference to radio or television reception, which can be determined by turning the equipment off and on, the user is encouraged to try to correct the interference by one or more of the following measures:

- Reorient or relocate the receiving antenna.
- Increase the distance between the equipment and receiver.
- Connect the equipment into an outlet on a circuit different from that to which the receiver is connected.
- Consult the manufacturer or an experienced radio/TV technician for help.

NOTE: This is a standard cautionary statement from the FCC, which is used to alert the user to troubleshoot in various ways if problems are found.

Read All Instructions

WARNING: When using outdoor use portable luminaires, basic safety precautions should always be followed to reduce the risk of fire, electric shock, and personal injury, including the following:

a) Use only three-wire outdoor extension cords that have three-prong grounding plugs and grounding receptacles that accept the appliance's plug.

b) Ground Fault Circuit Interrupter (GFCI) protection is to be provided on the circuit(s) or outlet(s) to be used for the wet location portable luminaire. Receptacles are available having built-in GFCI protection and are able to be used for this measure of safety.

c) Use only with an extension cord for outdoor use, such as an extension cord of cord type SEW, SEOW, SE00W, SOW, SO0W, STW, STOW, ST00W, SJEW, SJEOW, SJE00W, SJW, SJOW, SJO0W, SJTW, SJTOW, or SJT00W.

SAVE THESE INSTRUCTIONS IMPORTANT SAFETY INSTRUCTIONS

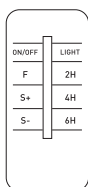
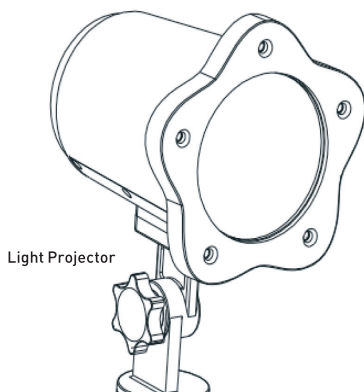
THIS PRODUCT HAS A POLARIZED PLUG (ONE BLADE IS WIDER THAN THE OTHER) AS A FEATURE TO REDUCE THE RISK OF ELECTRIC SHOCK. THIS PLUG WILL FIT IN THE OUTLET, REVERSE THE PLUG. IF IT STILL DOES NOT FIT, CONTACT A QUALIFIED ELECTRICIAN. NEVER USE WITH AN EXTENSION CORD UNLESS PLUG CAN BE FULLY INSERTED. DO NOT ALTER THE PLUG.

The Outdoor Laser is generally safe when used responsibly, please exercise the following precautions:

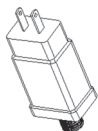
- Do not aim or shine at people, animals or traffic from land, sea, or air.
- Use with caution within 5-10 nautical miles of an airport.
- The Outdoor Laser should always be stationary, do not hold in hand when operating.
- Position The Outdoor Laser so that the lights are within the confines of the target object.
- Do not use near infants/cribs and keep away from children.

Before You Begin

Carefully unpack contents and check to make sure all parts are present. Some assembly may be required.



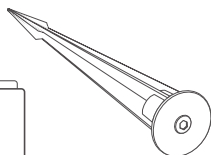
Remote



Power Supply
Transformer



23A Battery



Ground Stake with
Attachment Screw



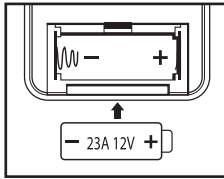
Allen Wrench

Assembly

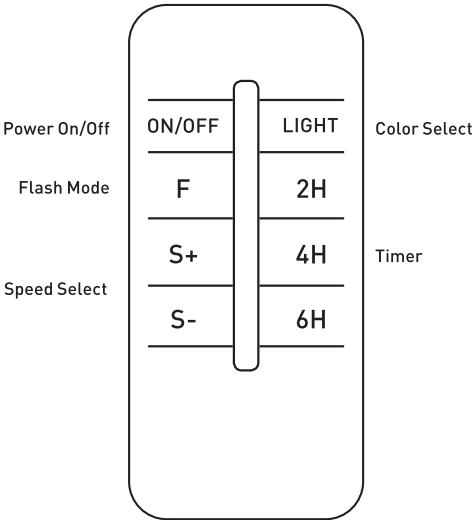
1. Remove battery cover from remote and install 23A battery (included).
 - Please note the correct position of the battery
 - Please note that the remote control is for indoor-use only and is not weather-proof.
2. Attach light to stake. To attach stake (Fig.1)
 - a. Remove the hex screw and washer from the stake with the included tool.
 - b. Use the same hex screw and washer to attach the stake to the pivot bracket.
 - c. Stake to ground.
3. Position the projector by loosening and tightening the angle adjustment screws (Fig. 1). A distance of 10-15 ft from the wall will yield about 625sq ft.
4. Attach projector to transformer by fully inserting the two-pronged plug and tighten the wire cap (Fig.2).
5. Plug unit into a 220VAC/60Hz power outlet (Caution: The Outdoor Laser will turn on once it is plugged in. Up to 30 minutes warm-up time may be necessary for conditions below -15°F. Following precautions for laser usage on page 3, re-aim if necessary).

Remote Guide

Carefully unpack contents and check to make sure all parts are present. Some assembly may be required.



Battery Installation
on back of remote



Remote control Pairing

The coding of the remote controller will need to be paired to the unit. Please note that sometimes electrical interference from the power line may disrupt the coding and you may need to pair the unit again if the unit becomes uncontrollable

To pair the unit, just plug in the unit and press the On/Off button on the Remote Controller within 5 seconds. Your Outdoor Laser will turn off. Your Remote is now paired.

Operation

1. Power ON/OFF - The Outdoor Laser will default to turn on when plugged in. Pressing the power button will turn the lights OFF and will be in standby mode. Timer, color or flash settings are retained in standby mode until the device is unplugged. To turn the lights back on, simply press the power button.

2. Color select - Your Outdoor Laser come's loaded with fun features. You can use below to guide yourself through these amazing features.

Light: The default setting is both Red and Green Lasers on simultaneously. Press once to turn on just the Red Laser. Press again to turn on just the Green Laser. Pressing again will take you back to both the Red and Green Lasers on simultaneously

2H: 2 hour timer

4H: 4 hour timer

6H: 6 hour timer

3. Flash mode - Pressing this button will cycle between steady or flashing lights. For multi-color versions, it will cycle from simultaneous flashing, alternation flashing, single color flashing back to default.

- Simultaneous flashing - Both laser colors (if applicable) will flash simultaneously.
- Alternating flashing - Both laser colors will alternately flash (multi-color only). Press again and it will default back to simultaneous color (no flashing).

4. Timer presets (2, 4 or 6 hours) - Pressing this will turn the unit ON and go into standby Mode after #hours.

For example, if you want your Outdoor Laser to display from

6pm to midnight daily: At desired time, in this case, 6pm, press the "6h" button. The lights will turn off after 6hrs (midnight) and will cycle again to turn on at 6pm the next day and so on. Timer settings will be saved until "On/Off" button is pushed or if the projector unit is unplugged.

A triple-flash indication from the projector will confirm your timer setting.

5. LED indicator on remote - This will confirm the remote battery / buttons are working.

6. Speed Control - you can control the speed that your Outdoor Laser lights move at. You can even freeze them.

There are 3 levels of speed, Slow, Fast and Faster. Pressing the "S+" button will increase the speed to the next level. Pressing the "S-" button will decrease the speed to the next level, the last level being stopped. Pressing the "S+" button once it has reached the fastest speed will have no further effect. Pressing the "S-" button once the lights has stopped will have no further effect. Press the "S+" button to get the lights moving once again.

7. Retractable Antenna - Extend for maximum range (Up to 30 ft. depending on surroundings).

Troubleshooting Guide

| Problem | Possible Cause Guide | Remedy |
|--|--|--|
| No light coming from unit | <ol style="list-style-type: none">1. Remote control not working or timer is on2. Electrical connection3. Outlet not working4. Not within operating temperature range | <ol style="list-style-type: none">1. Unplug the light and plug back in (The Outdoor Laser will reset to default and should turn ON when plugged in).2. Check entire length of electrical cord for breaks in the wire and connections on both the projector and transformer.3. Check to make sure there is power to the electrical outlet supplying 220VAC at 60Hz. Use included transformer only.4. Operate unit within - 15° F to 90° F. If below -15° F, leave unit on for at least 30 minutes until it warms up to operating temperature. |
| Dim or flickering light | <ol style="list-style-type: none">1. Not within operating temperature range2. Unit is connected to a dimmer3. Improper power4. Debris on aperture glass | <ol style="list-style-type: none">1. Operate unit within - 15° F to 90° F. If below -15° F, leave unit on for at least 30 minutes until it warms up to operating temperature.2. Do not use with a dimmer.3. Check to make sure there is power to the electrical outlet supplying 220VAC at 60Hz. Use included transformer only.4. Clear aperture glass of any debris. |
| One color appears dimmer than the other (if more than one color) | <ol style="list-style-type: none">1. The green light is much brighter than the red2. Some surfaces may absorb certain colors or light causing it to appear dim or non-existent | <ol style="list-style-type: none">1. The human eye is most sensitive to green light and less sensitive to other colors. This is normal.2. Position the projector to another surface for better effect. Brighter colored surfaces work best. Objects such as green foliage may absorb red light. |
| Remote not working or operating erratically | <ol style="list-style-type: none">1. Remote batteries exhausted or positioned improperly2. Remote out of range or communication interference3. Remote is not paired with projector | <ol style="list-style-type: none">1. Check LED indicator on the remote by pressing any button. If the LED is not working, then replace the batteries with a fresh 23A cell aligning the "+" side of the battery with the "+" side of the remote control.2. Extend the antenna on the remote for maximum range or move closer to the projector. Please note that overhead power lines, microwaves, wireless routers, cordless phones and other devices may impact the communication between the remote and The Outdoor Laser projector.3. Unplug desired Outdoor Laser to unpair and follow pairing procedures on page 5. |

Product Specifications

| | |
|-------------------------------------|--|
| Laser Classification / Power | Class 2 / Less than 1 mW (single beam) |
| Laser Wavelength(s) | 532nm (Green) / 650nm (Red) |
| Laser Diode Life | About 7000 hours (at 4 hours per day) |
| Power Consumption | Up to 5 watts @ 65°F - 90°F |
| Power Input | 220AVC (When used with manufacturer provided transformer) |
| Operating Environment | Indoor / Outdoor : -15° F to 90° F |
| Projection Coverage | 25 ft. x 25 ft. |
| Maintenance | Maintenacne Free - No user serviceable parts |

POL01

Distributor: **PLATINET S.A.**
30-798 Kraków, Sliwiaka 48, PL
www.platinet.eu

Importator:
PLATINET ELECTRONICS SRL
077065 CORBEANCA, JUD ILFOV
str. PISCULUI 10A/2, RO
tel.: 0 742 233 799,
officero@platinet.eu, www.platinet.eu

MADE IN CHINA

Ursprungsland China • Země původu Čína • Zemijska porijekla Čina • Kraj pochodzenia Chiny • Tara de origine China • Krajina pôvodu Kitajska • Страна на произход • Китай • مصنع في الصين

WEEE Number E0010462W GIOŚ Platinet S.A.



Caution! The waste electrical and electronic equipment that is marked by the symbol of a crossed-out wheeled waste container must be collected selectively. Waste equipment must not be stored together with other wastes **Vorsicht!** Batterien oder Akkus, die Schadstoffe enthalten, sind mit dem Symbol einer durchkreuzten Mülltonne gekennzeichnet. Bitte nicht im Hausmüll entsorgen. **Uwaga!** Zużyty sprzęt elektryczny i elektroniczny oznaczony symbolem przekreślonego, kolowego kontenera na odpady należy zbierać selektywnie. Niedozwolone jest umieszczanie zużytego sprzętu z innymi odpadami.