






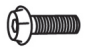

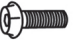


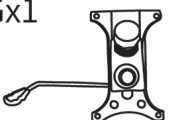










USER MANUAL

GAMING CHAIR NASCAR VGCN

Ax1 	Jx1 
Bx5 	Kx1 
Cx1 	Lx1 
Dx1 	Mx4  M8x25mm
Ex1(L)x1(R) 	R x12  M8 x 20mm
Fx1 	Nx2  M5x10mm
Gx1 	Ox16 
Hx1 	Px16  Nx4 
Ix1(L)x1(R)  L  R	Qx4 